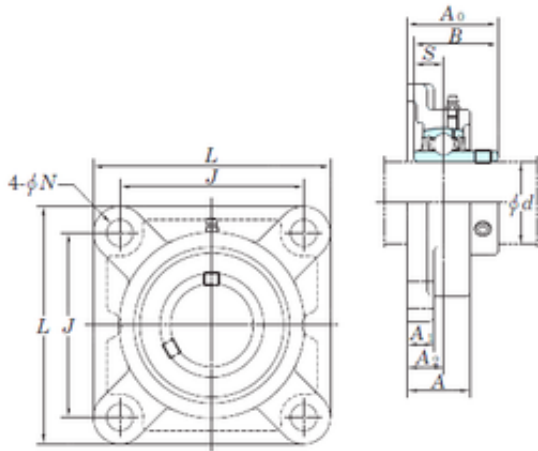




KOYO UCF328 bearing units



Bearing No. UCF328

Bore Diameter	140 mm
d	140 mm
A0	161 mm
A	125 mm
A1	55 mm
B	145 mm
J	350 mm
L	450 mm
N	41 mm
S	59 mm
Bolt (G)	M36
A2	75 mm
Weight	93,4 Kg
Basic dynamic load rating (C)	253 kN
Basic static load rating (C0)	246 kN
Bearing No.	UCF328
Bolt size	M36
Cr	253
C0r	246
f0	13.6
(Refer.)Unit mass(kg)	93.4
Nipple size	R1/8

UCF328 Bearing 2D drawings and 3D CAD models