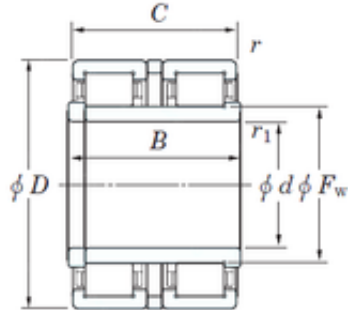




# Timken BEARING MFG.CORP

120 mm x 225 mm x 170 mm KOYO JC35  
cylindrical roller bearings



Bearing No. JC35

Size	120x225x170 mm
Bore Diameter	120 mm
Outer Diameter	225 mm
Width	170 mm
d	120 mm
Fw	145 mm
D	225 mm
B	170 mm
C	165 mm
r min.	3 mm
r1 min.	10 mm
Weight	29,4 Kg
Basic dynamic load rating (C)	876 kN

JC35 Bearing 2D drawings and 3D CAD models